



SOREN EXTENDABLE DINING TABLE

A quiet study in proportion, with softened corners, tapered legs, and concealed draw leaves that let the table extend without disturbing its calm, architectural presence.

Colors: [Natural Walnut]

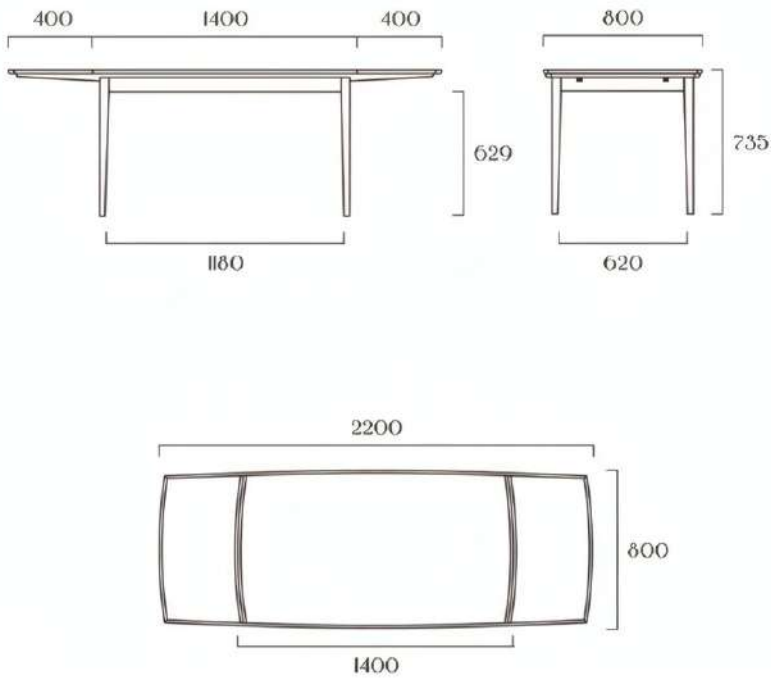
SPECIFICATIONS:

Overall Width	[31.5in]
Overall Length	[39.4–63 / 47.2–78.7 / 55.1–86.6 in]
Overall Height	[28.9 in]
Material	[American Black Walnut]

DETAILS:



DIMENSION GUIDE



Extendable

Available size variants.

Variant 1

1.0 m extends to 1.6 m

Variant 2

1.2 m extends to 2.0 m

Variant 3

1.4 m extends to 2.2 m

Reference drawing shown here uses the 1.4 m to 2.2 m configuration.

ALL DIMENSIONS ARE SUBJECT TO A TOLERANCE OF +/- 0.5 IN.